



Coe'Lanie



RICHARDS BAY

Procedure No.

SOP 07 BC

Revision

0

Pages

1 OF 2

SOP 07 BC- BRUSH CUTTER

TABLE OF CONTENTS

1. PURPOSE.....	2
2. SCOPE.....	2
3. RESPONSIBILITY, ACCOUNTABILITY AND AUTHORISATION.....	2
4. DEFINITIONS & ABBREVIATIONS.....	2
5. SAFETY, HEALTH, ENVIROMENTAL & QUALITY.....	2
6. PROCEDURE.....	2
7. RECORDS.....	2

REVISION SHEET

REVISION NUMBER	SUBJECT OF REVISION	PAGE NUMBER	EFFECTIVE DATE
0	New Procedure	All	16/07/2010

ENDORSEMENT

	DESIGNATION	DATE	SIGNATURE
REVIEWED BY	OWNER	16/07/10	
CHECKED BY	OWNER	16/07/10	
APPROVED BY	OWNER	16/07/10	



EYE & HEARING PROTECTION MUST BE WORN



PROTECTIVE CLOTHING MUST BE WORN



DUST MASK MUST BE WORN



FOOT PROTECTION MUST BE WORN



HAND PROTECTION MUST BE WORN

To ensure the safe operating of a Brush Cutter

2. SCOPE

Applies to all Brush Cutter operators

3. RESPONSIBILITY, ACCOUNTABILITY AND AUTHORISATION

The Supervisor /operator to be convinced that the procedure poses no threat to himself, other people, surrounding buildings and or vehicles. Ensure that no person or animal is endangered when operating the Brush Cutter.

4. DEFINITIONS & ABBREVIATIONS

None

5. SAFETY, HEALTH, ENVIRONMENTAL & QUALITY ALWAYS WEAR PERSONAL PROTECTIVE

When using the product, you should wear proper clothing and protective equipment.

- Helmet
- *Protection goggles or face protector*
- Ear protectors
- Non-slip sole work boots
- When using your Brush Cutter, always wear strong, durable, work clothing; shirts should be long-sleeved and trousers should be full-length.

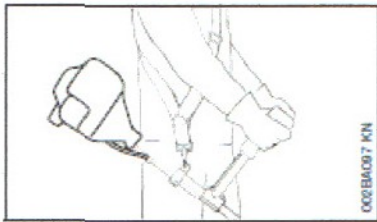
6. PROCEDURE

1. Employees will be properly and thoroughly trained before attempting to do any work with a Brush Cutter.
2. Thoroughly inspect the Brush Cutter every morning before each shift starts
3. Before starting work:
 - Make sure other people and animals are kept at least 10 meters from the brush cutter
 - Clear the area you'll be working in of stones, sticks, wire and other objects Brush cutters can fling up objects at high speed, which can injure the operator and anybody who is close by.
 - The rotating blade or cutting cord can cause serious injuries if it comes into contact with your face, hands, legs or feet.
4. To start your brush cutter:
 - Place the brush cutter on firm ground
 - Clear away any obstructions, especially near the front of the cutting blade
Place one hand on the machine and operate the starter with the other hand.
5. Don't let your attention slip while you're using the brush cutter. Make sure you keep a firm grip on the machine with both hands and keep the blade or cutting cord away from your body.
6. Make sure the safety harness fits so that your shoulders, arms and hands are relaxed and your back is straight.

7. RECORDS

None

Harness / Shoulder Strap

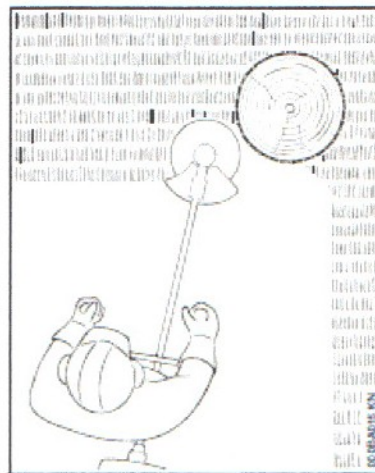


- Use a harness.
- With the engine running, attach the brushcutter to the harness.

In countries of the European Union (EU):

Grass cutting blades and brush knives must always be used in combination with a shoulder strap.

Circular saw blades must always be used in combination with a quick-release full harness.



Nylon line achieves soft cut for edging and trimming around trees and fence posts – less risk of damaging tree bark.

- ⚠ To reduce the risk of serious injury, never use wire or metal-reinforced line or other material in place of the nylon cutting line.

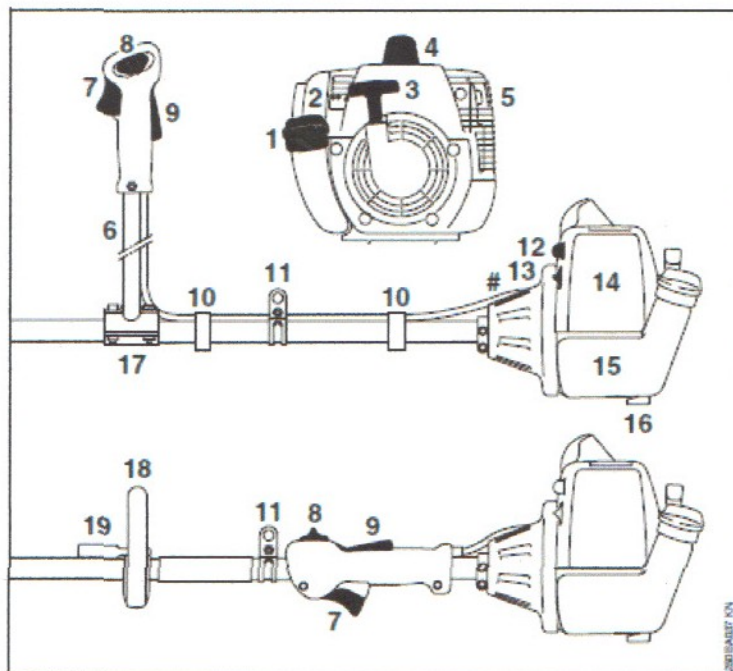


To reduce the risk of personal injury from thrown objects, ensure that bystanders are at least 15 meters (50 feet) away.



Before cutting, inspect the area for stones, glass, pieces of metal or other solid objects which could damage the cutting tool or be thrown and cause

Parts and Controls



- 1 Fuel filler cap
 - 2 Carburetor adjusting screws
 - 3 Starter grip
 - 4 Spark plug boot
 - 5 Muffler (with spark arresting screen)
 - 6 Bike handle
 - 7 Throttle trigger
 - 8 Slide control
 - 9 Throttle trigger interlock
 - 10 Throttle cable retainer
 - 11 Carrying ring
 - 12 Fuel pump
 - 13 Choke knob
 - 14 Air filter cover
 - 15 Fuel tank
 - 16 Machine support
 - 17 Handle support
 - 18 Loop handle
 - 19 Barrier bar
- # Serial number